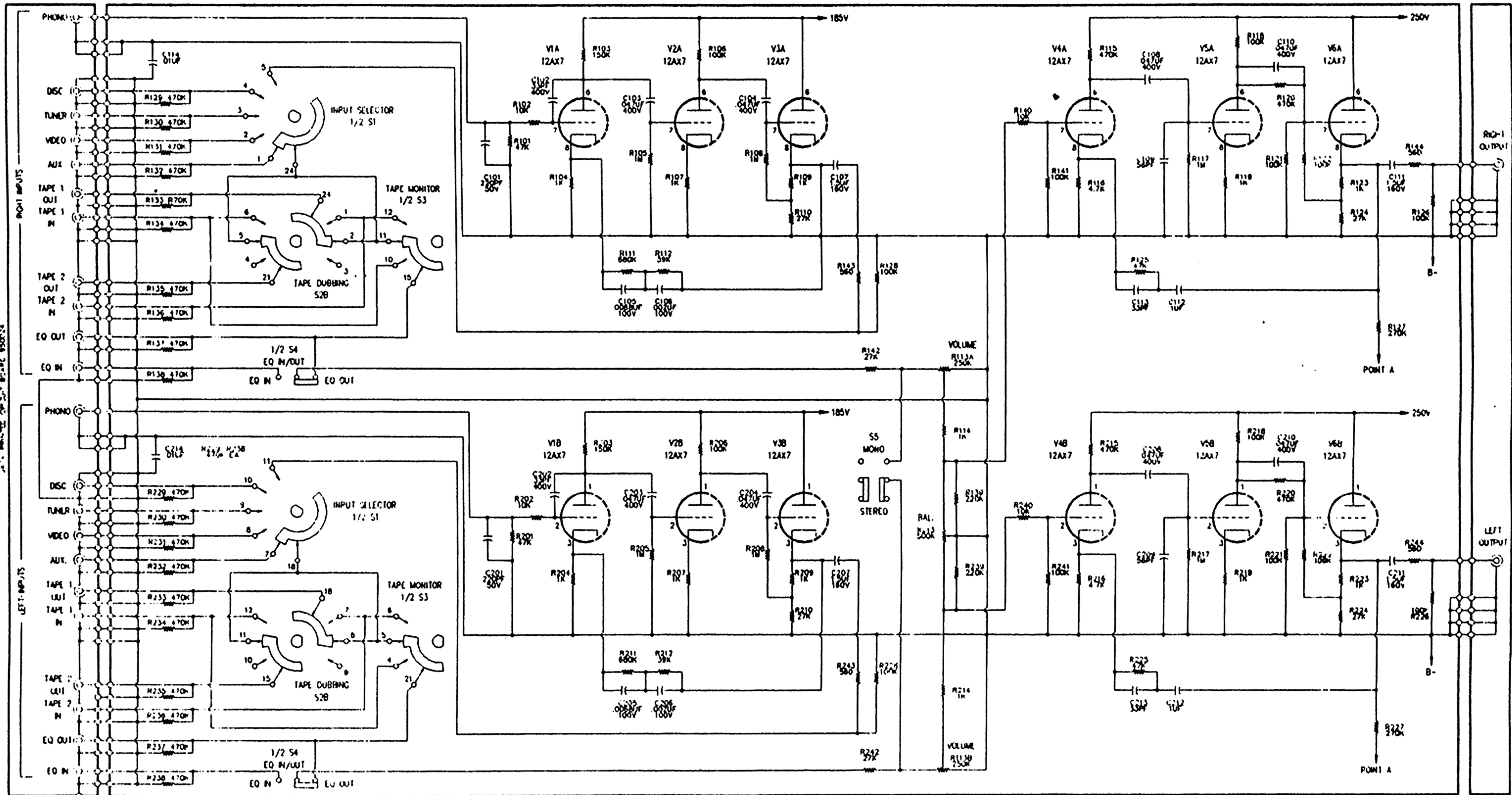


PAS-3 Series II



PRINTED CIRCUIT ASSY 957056 REV. E
 PRINTED CIRCUIT BOARD 950056 REV. B